



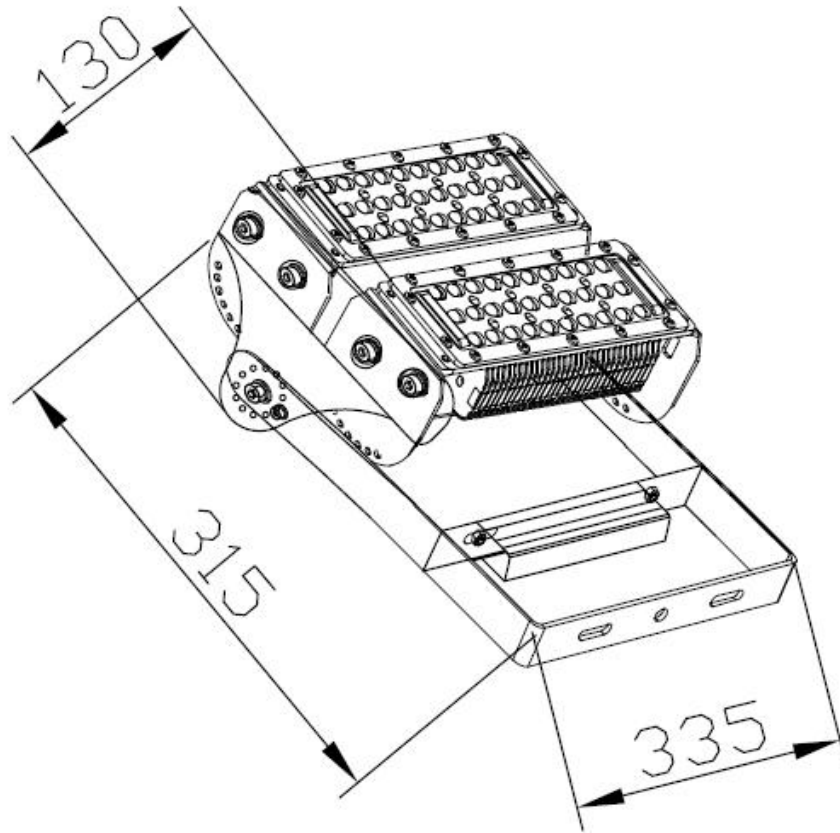
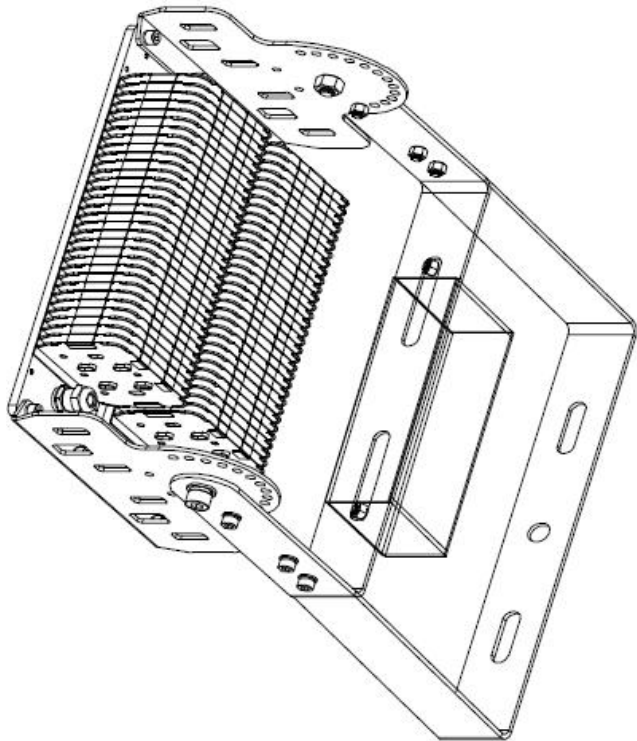
Tyki Lighting Technology Co., Ltd

Model: TK-FL-100W



- * Beam angle: 60*60°/90*90°/75*135°
- * Aluminum heat dissipation
- * CCT: 2700-7500K
- * Input Voltage: AC90-305V
- * Certification: CE, ROHS, PSE
- * Wide application: Streets, Warehouse, Shoebox, Wallpack, High bays, Garden, Shopping Malls, Galleries, Stadiums.

product size

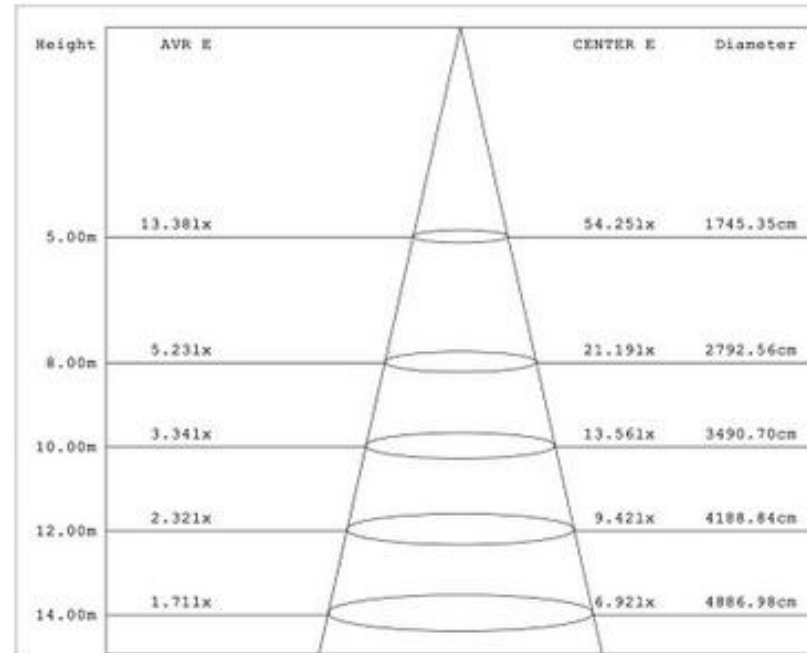
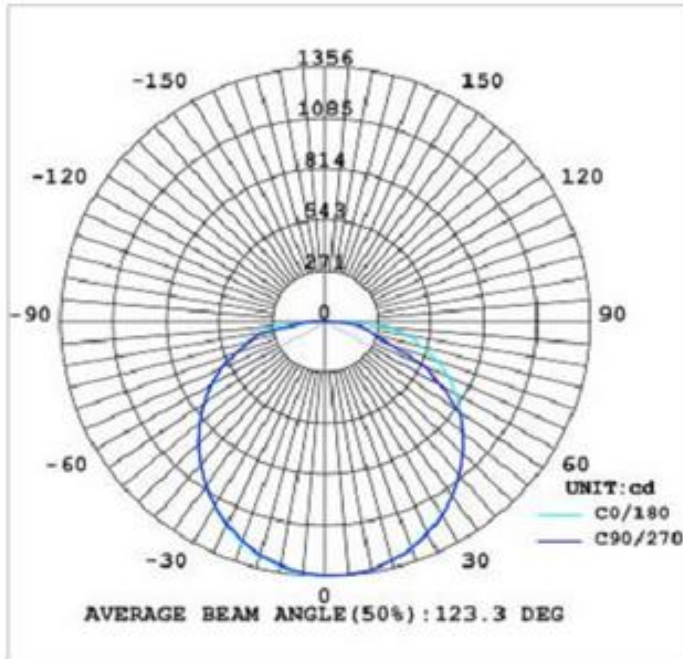


注：单位MM

Application



Technical data





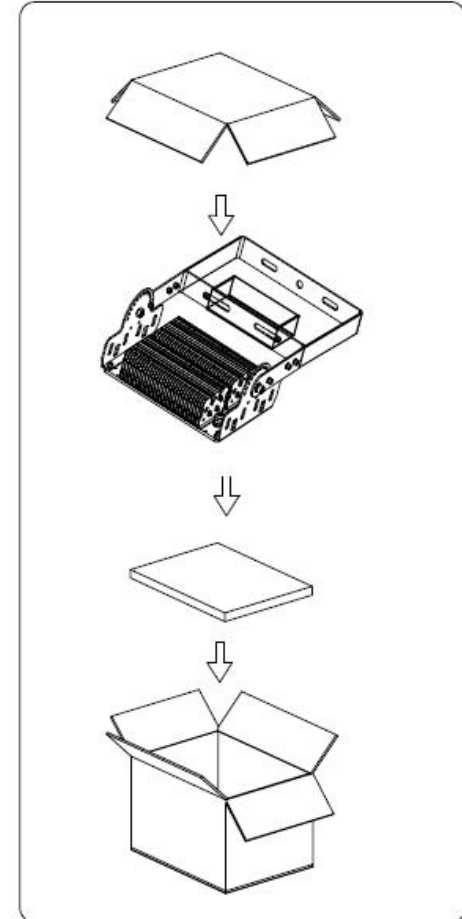
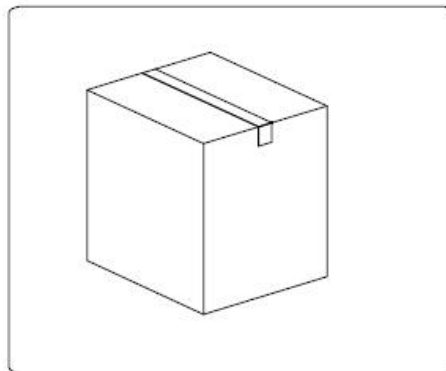
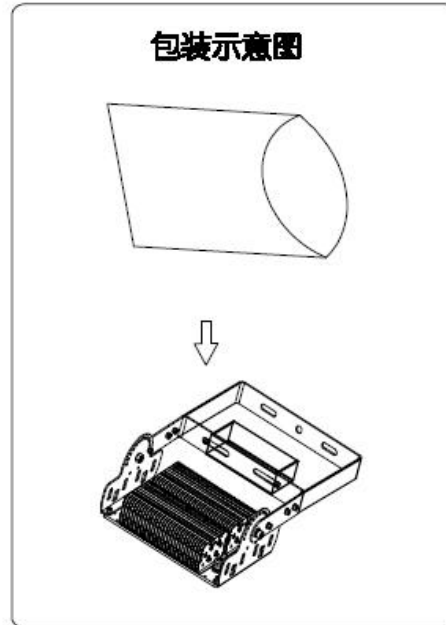
Tyki Lighting Technology Co., Ltd

	Parameter	Rating	Unit
Electrical	Rated Power	100	W
	Input voltage	AC90-305	V
	Input frequency	50/60	HZ
	Power Factor	>98	
	Light fixture	>90	
Optical	Color temperature	2800-3000k 4000-4500k 6000-6500k	3000-3500k 5000-5500k 7000-7500k
	Luminous	>1200	LM
	LED luminous efficiency	120-130	LM/W
	Beam Angle	60/90	°

Environment	Operating temperature	-40-50	°C
	Operating Humidity	0-85	%
	Storage Temperature	-20-60	°C
	Storage Humidity	10-95	%
	Lifespan (Ta=25°C)	>50000	hour
Mechanical	Base (optional)		
	Safety compliance	CE PSE	
	LED Chip Brand	Lumileds 3030 SMD	
	Material	AL	

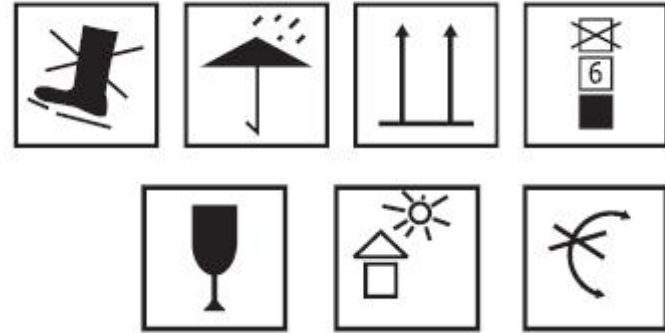
Packing

internal packing	370*360*150mm
Carton size	370*360*150mm
Quantity	1pcs/carton
Weight	5kg/carton





Tyki Lighting Technology Co., Ltd



- 1: Please cut off the power before installation, be safe.
- 2: Please read specification carefully, make sure the correct operation environment.
- 3: Please confirm the correct driver and connect it after the power switch off, avoiding the electric shock.
- 4: Please estimate the quantity of lamps, and calculate the total power according to each lamp, and then make the power distribution program.